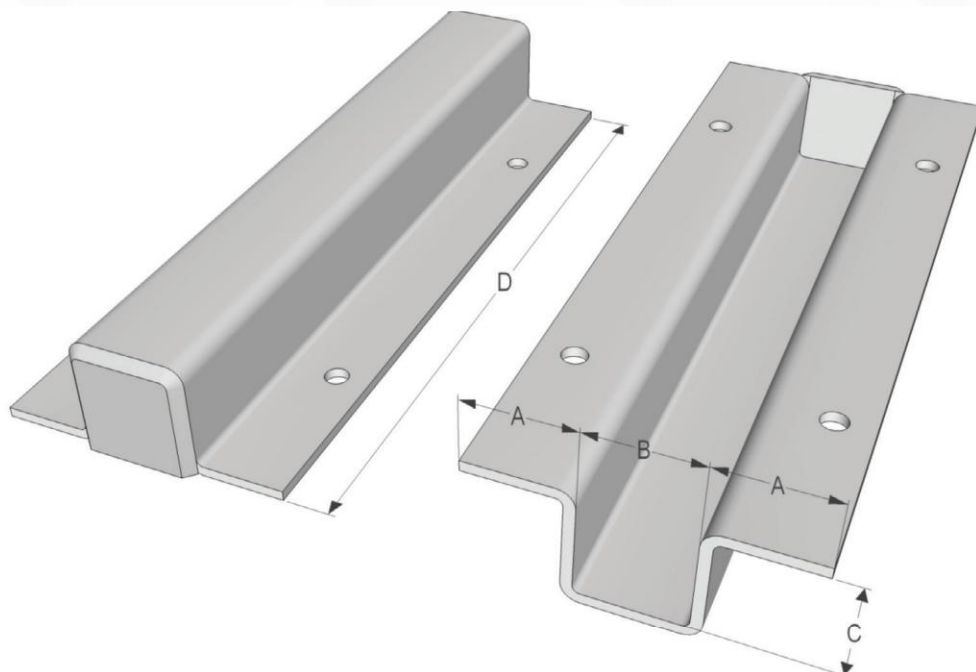


Please complete details and email [sales@rgbindustries.com.au](mailto:sales@rgbindustries.com.au)  
 or fax **08 8295 1688**. Please contact **8295 5040** if you require more information.



	Specifications		Other
Fixing Flange	A		mm
Width Internal	B		mm
Depth Internal	C		mm
Length Overall	D		mm
Material Thickness	0.6mm <input type="checkbox"/>	1.6mm <input type="checkbox"/>	3.0mm <input type="checkbox"/>
Material Type	Galvabond <input type="checkbox"/>		Zincanneal <input type="checkbox"/>
	Open Both Ends <input type="checkbox"/>		Closed One End <input type="checkbox"/>
Finish	Unpainted <input type="checkbox"/>	Painted <input type="checkbox"/>	Powder Coated <input type="checkbox"/>
Other			
Quantity			

Company Name: \_\_\_\_\_ Order No.: \_\_\_\_\_  
 Contact Name: \_\_\_\_\_  
 Phone: \_\_\_\_\_ Fax: \_\_\_\_\_  
 Email: \_\_\_\_\_